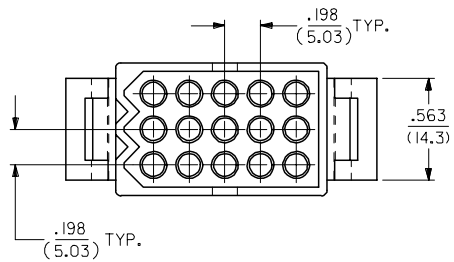
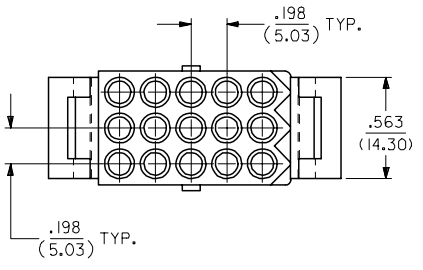
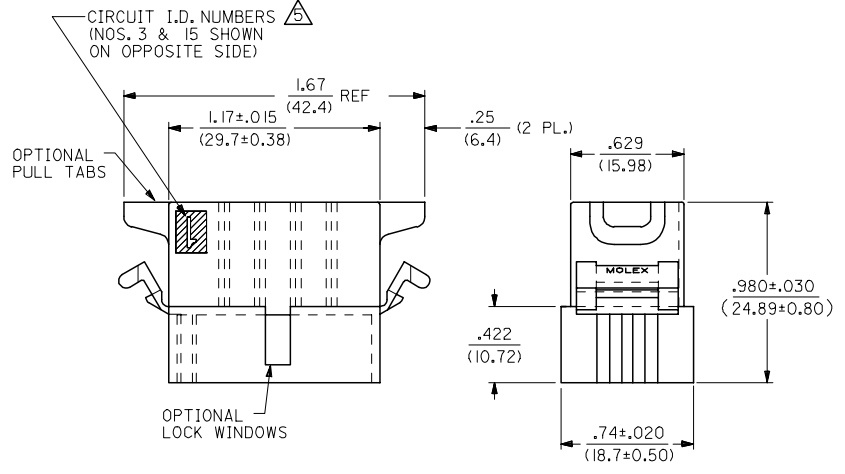
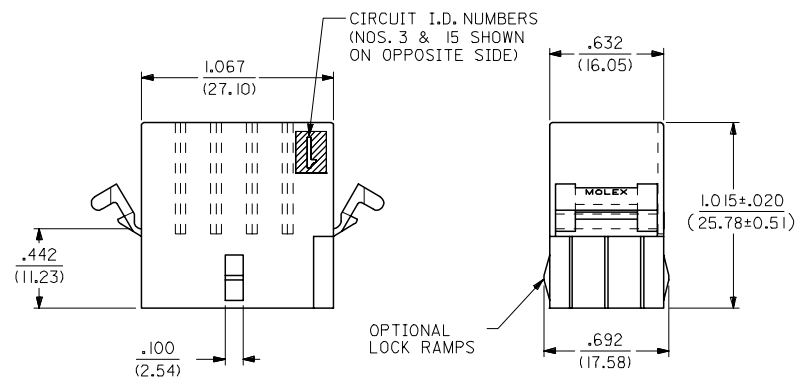
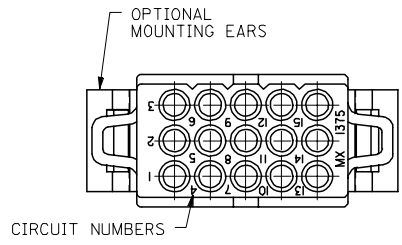
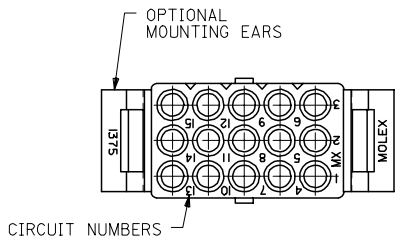


13 12 11 10 9 8 7 6 5 4 3 2 1

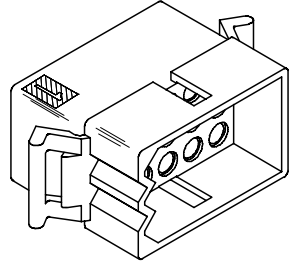
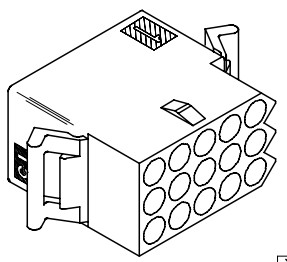
J
I
H
G
F
E
D
C
B
A

J
I
H
G
F
E
D
C
B
A



RECEPTACLE

PLUG



UPDATE TITLE BLOCK EC NO: UCP2007-2415 DRWNAELHAG 2007/04/17 CHKD:LSHMT 2007/05/03 APPR:FSM TH 2007/05/03 REVISION DESCRIPTION	QUALITY SYMBOLS 	GENERAL TOLERANCES (UNLESS SPECIFIED) <table border="1"> <tr> <th></th> <th>mm</th> <th>INCH</th> </tr> <tr> <td>4 PLACES</td> <td>± .01</td> <td>± .0004</td> </tr> <tr> <td>3 PLACES</td> <td>± .010</td> <td>± .0004</td> </tr> <tr> <td>2 PLACES</td> <td>± 0.25</td> <td>± .010</td> </tr> <tr> <td>1 PLACE</td> <td>± 0.35</td> <td>± .014</td> </tr> </table>		mm	INCH	4 PLACES	± .01	± .0004	3 PLACES	± .010	± .0004	2 PLACES	± 0.25	± .010	1 PLACE	± 0.35	± .014	DIMENSION STYLE IN/MM	SCALE 2:1	DESIGN UNITS INCH	THIRD ANGLE PROJECTION
		mm	INCH																		
	4 PLACES	± .01	± .0004																		
	3 PLACES	± .010	± .0004																		
2 PLACES	± 0.25	± .010																			
1 PLACE	± 0.35	± .014																			
DRAWN BY KBW	DATE 01/14/1989	CHECKED BY RW	DATE 01/14/1989	APPROVED BY RAS	DATE 01/14/1989	MATERIAL NO. SEE CHART															
DRAFT WHERE APPLICABLE MUST REMAIN WITHIN DIMENSIONS	SIZE C	THIS DRAWING CONTAINS INFORMATION THAT IS PROPRIETARY TO MOLEX INCORPORATED AND SHOULD NOT BE USED WITHOUT WRITTEN PERMISSION	DOCUMENT NO. SD-1375-*	SHEET NO. 1 OF 2	MOLEX INCORPORATED	.093/(2.36) HOUSINGS PLUG & RECEPTACLE 15 CIRCUIT, .198/(5.03)CL															
AE																					

12 11 10 9 8 7 6 5 4 3 2 1

PLUG			RECEPTACLE			
ORDER NO	ENG NO	PACKAGING	ORDER NO	ENG NO	PACKAGING	
03-09-2151	I375-P	PK-1375-001	03-09-1151	I375-R	PK-1375-001	
03-09-2159	I375-P4	PK-1375-002	03-09-1152	I375-R1	PK-1375-001	
03-09-2158	I375-P7	PK-1375-001	03-09-1154	I375-R6	PK-1375-001	
03-09-7158	I375-P7BK	PK-1375-001	OBSOL.	03-09-1157	I375-R6-1	PK-1375-001
			03-09-6154	I375-R6BK	PK-1375-001	

LEGEND FOR PLUG:

1375-P***

OPTIONS: _____

BLANK = W/O EARS, W/ PULL TABS, W/O LOCK WINDOWS
 2 = W/ STANDARD EARS, W/O PULL TABS, W/O LOCK WINDOWS
 4 = W/ PREBENT EARS, W/O PULL TABS, W/ LOCK WINDOWS
 6 = W/O EARS, W/O PULL TABS, W/ LOCK WINDOWS
 7 = W/O EARS, W/ PULL TABS, W/ LOCK WINDOWS
 8 = W/ PREBENT EARS, W/O PULL TABS, W/O LOCK WINDOWS

COLOR: _____

BLANK = NATURAL COLOR
 AM = AMBER BK = BLACK BU = BLUE
 BN = BROWN GY = GRAY GN = GREEN
 OR = ORANGE RD = RED YW = YELLOW

LEGEND FOR RECEPTACLE:

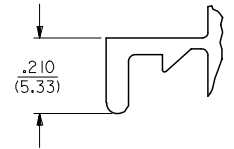
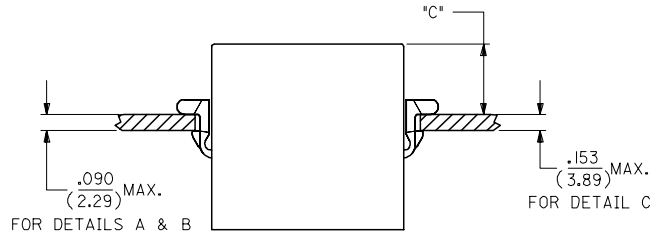
I375-R***

OPTIONS: _____

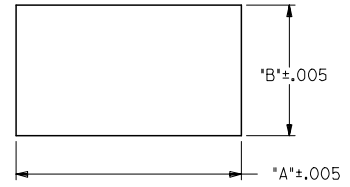
BLANK = W/ PREBENT EARS, W/O LOCK RAMPS
 1 = W/O EARS, W/O LOCK RAMPS
 6 = W/ STANDARD EARS & LOCK RAMPS
 6-1 = W/O EARS, W/ LOCK RAMPS

COLOR: _____

BLANK = NATURAL COLOR
 AM = AMBER BK = BLACK BU = BLUE
 BN = BROWN GY = GRAY GN = GREEN
 OR = ORANGE RD = RED YW = YELLOW

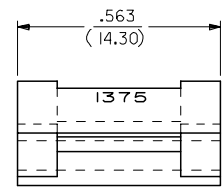


DETAIL A
 .093/(2.36) STANDARD MOUNTING EAR
 (SCALE 4:1)



RECOMMENDED PANEL OPENING

HOUSING	DIM. "A"	DIM. "B"	"C" PREBENT EAR	"C" STANDARD EAR	"C" SPECIAL EAR
PLUG	1.343/(34.1)	.760/(19.30)	.40/(10.2)	.36/(9.1)	---
RECEPT. W/ RAMPS	1.240/(31.50)	.725/(18.42)	.41/(10.4)	.37/(9.4)	.31/(7.8)
RECEPT. W/O RAMPS	1.240/(31.50)	.655/(16.64)	.41/(10.4)	.37/(9.4)	.31/(7.8)



DETAIL B
 .093/(2.36)PREBENT MOUNTING EAR
 (SCALE 4:1)

NOTES :

1. MATERIAL : NYLON TYPE 6/6, 94V-2.
 2. FINISH : NONE.
 3. PRODUCT SPECIFICATION : PS-02-09.
 4. PACKAGING INFORMATION : SEE CHART.
- △** ETCHED CIRCUIT I.D. NUMBERS ON SIDE OF HOUSINGS TO BE PRESENT ON PARTS FROM TOOLS BUILT AFTER 2/28/94.
6. PARTS CONFORM TO CLASS B REQUIREMENTS OF COSMETIC SPECIFICATION PS-45499-002.

ADD NOTES 2, 4 & 6 EC NO: UCP2007-2415 DRWNAELHAG 2007/04/17 CHKD:LSHMDT 2007/05/03 APPR:FSM TH 2007/05/03 REVISION DESCRIPTION AE	QUALITY SYMBOLS	GENERAL TOLERANCES (UNLESS SPECIFIED)	DIMENSION STYLE	SCALE	DESIGN UNITS	THIRD ANGLE PROJECTION
	▽=0	mm INCH	IN/MM	1:1	INCH	
	▽=0	4 PLACES ± --- ± ---	DRAWN BY DATE	TITLE .093/(2.36) HOUSINGS PLUG & RECEPTACLE 15 CIRCUIT, .198/(5.03)CL MOLEX INCORPORATED SD-1375-* SHEET NO. 2 OF 2		
		3 PLACES ± --- ±.010	CHECKED BY DATE			
	2 PLACES ± 0.25 ±.014	APPROVED BY DATE				
	1 PLACE ± 0.35 ± ---	MATERIAL NO.	DOCUMENT NO.			
	ANGULAR ±1/2°	DRAFT WHERE APPLICABLE MUST REMAIN WITHIN DIMENSIONS		SEE CHART		

DRAWN BY DATE KBW 6/14/1989 CHECKED BY DATE RW 6/14/1989 APPROVED BY DATE RAS 6/14/1989	MATERIAL NO. DOCUMENT NO.
THIS DRAWING CONTAINS INFORMATION THAT IS PROPRIETARY TO MOLEX INCORPORATED AND SHOULD NOT BE USED WITHOUT WRITTEN PERMISSION	